

meet the
MAZDA HAULERS



THE MAZDA FORMULA: Power and Confidence.

No other pickup sold in America offers a combination of power and confidence like Mazda's Rotary Pickup.

The rotary engine generates an SAE net horsepower of 110. That's more horsepower than any of the other leading truck imports. And it means Mazda's rotary pickup will haul a payload of 1400 lbs. That's a lot of muscle

for a small pickup.

And there's a lot of confidence behind the rotary engine: a 50,000 mile/3 year limited engine warranty. No other pickup comes close to that kind of confidence.

Power and confidence. Two words to remember when you're shopping for a small pickup. And Mazda offers both.



**ROTARY POWER GUARANTEED:
50,000 Miles or 3 Years.**

The Mazda limited rotary-engine warranty states that the basic engine block and internal parts will be free of defects, with normal use and prescribed maintenance, for

50,000 miles or three years, or Mazda will fix it free. This non-transferable limited warranty is free on all new rotary-engine Mazdas sold and serviced in the continental United States.



**COMPLETE INSTRUMENTATION
AND CAR-LIKE COMFORT.**

The efficient design of the dashboard makes instruments readable at a glance. There's a trip odometer to keep track of your hauls, a tachometer and a full complement of instruments to monitor the vital functions of your truck. For driving comfort there's a deep-

foam cushioned seat, tinted glass, upholstered door panels with padded armrests, and soft but durable nylon carpeting. The easy-to-reach stick shift is attached to a fully synchronized transmission.



Mazda's rotary engine is so smooth and quiet you need a tachometer to judge the rpm's. It's standard. All instruments are well-lighted.

This sporty 5-speed synchromesh transmission promotes fuel efficiency and reduces engine wear. (Standard in certain states, optional in others.)

Convenient multi-purpose switching stalk puts six important functions at your finger tips: turning signals, lane changing and passing signals, high/low beam, and windshield washer and wipers.

All Mazdas are engineered to meet existing federal safety requirements. 3-point seat belts increase driving security.

A two-speed window wiper and washer adapts to any weather condition for better visibility while you're hauling.





Robust heater and defroster keeps you toasty in cold weather, clears windows of frost quickly. AM radio is optional.



All-steel truck bed is over six feet long and nearly five feet wide. Tailgate chains are plastic-coated to prevent scratches.



Tires are 6-ply radials for a better ride and longer tire life. Each wheel is attached to double-acting shocks, independent suspension in front.



Dual headlights are set in a smartly-styled grille, offer better light dispersion for those late-night hauls.



Mazda's rotary engine has less to go wrong. There are no pistons, no valves, no lifters and no connecting rods. But there's abundant power.



**MEET THE LOWEST-PRICED
PICKUP SOLD IN AMERICA.***

THE MAZDA B-1600

A perky 1600cc overhead cam engine gives Mazda's piston-engine pickup a hefty payload capacity of 1200 pounds. And despite its low, low price, the B-1600 is equipped with the kind of standard features that make every Mazda a great value. Like white-wall

tires, padded instrument panel, front stabilizer bar, chrome front bumper, a locking fuel door, and a smooth four-speed transmission. (See specifications page for more of the Mazda standard features.)

*Based on a comparison of Manufacturer's suggested retail price. Freight, dealer prep, tax license and California emission device extra.



ECONOMICAL

A low price and fuel economy (28 mpg highway, 19 city*) means a low operating cost for the working man, and a great vacation value for the family.



SPORTY

4-speed synchromesh transmission and front stabilizer bar gives the piston pickup a sportlike feel. It's a joy to drive, on or off the highway.



DURABLE

Rugged front coil suspension and 6-leaf rear springs can take the demands of the hard-driving man. Mazda pickups are built to last.

WELL-EQUIPPED

Standard features on the B-1600 include a convenient six-way combination switch (lights, window washer/wiper) 4-speed transmission, padded instrument panel, heater and defroster, oil pressure and brake warning lights, cigarette lighter and many more.

*EPA estimates with manual transmission. The actual mileage you get will vary depending on how and where you drive, your truck's condition, and optional equipment.

ROTARY PICKUP SPECIFICATIONS

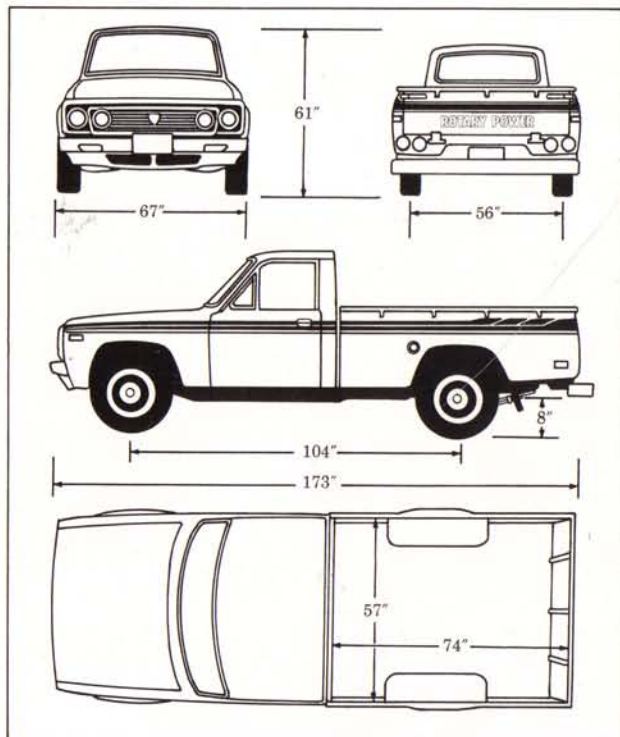
Engine type2-R
 Displacement
 Cubic Inches 80
 Cubic Centimeters1308
 Compression ratio9.2:1
 Horsepower
 SAE Net @ RPM110 @ 6000
 Torque, Net,
 Ft. Lbs. @ RPM117 @ 3500
 Fuel requirementUnleaded
 Battery rating, Amp hours12-60
 Alternator rating,
 Amp output 50
 Tire size7.35 x 14 (six ply)
 Overall width, inches67
 Overall length, inches173
 Overall height, inches61
 Curb weight, in pounds
 Manual transmission2835
 Auto. transmission2850
 Wheelbase, inches104
 Tread, inches
 Front57
 Rear56
 Road clearance, inches8
 Turning radius, feet & inches19/1

STANDARD FEATURES

Power assisted front disc brakes
 Power assisted rear drum brakes
 Engine oil cooler
 4-barrel, 2-stage carburetor
 5-speed synchromesh trans.
 Front stabilizer bar
 Hydraulic clutch linkage
 Tachometer
 Trip odometer
 Ammeter
 Brake failure warning light
 Parking brake warning light
 Low oil level warning light
 Low engine coolant warning light
 6-way combination switch
 Heater & defroster
 Tinted glass
 Carpeting
 Vinyl upholstery
 Interior hood release
 Parcel shelf
 Padded sunvisors
 Cigarette lighter
 Chrome front bumper
 Custom wheels
 Dual horns
 Tool kit
 Touch-up paint

OPTIONAL FEATURES

3-speed automatic trans.
 Air conditioning
 AM radio
 Rear step bumper



B-1600 PICKUP SPECIFICATIONS

Engine type4 cyl. OHC
 Displacement
 Cubic inches97
 Cubic centimeters1586
 Compression ratio8.6:1
 Horsepower SAE @ RPM...64 @ 5000
 Torque, Net, Ft. lbs.
 @ RPM 78 @ 3000
 Fuel requirement.....Unleaded
 Tire size600 x 14 WSW
 Overall width, inches63
 Overall length, inches172
 Overall height, inches62
 Curb weight, in pounds
 Manual Trans.2525
 Wheelbase, inches104
 Tread, inches
 Front51
 Rear51
 Road clearance, inches8
 Turning radius, feet &
 inches16/5

STANDARD FEATURES

4-speed synchromesh trans.
 Front stabilizer bar
 Whitewall tires
 Wheel covers
 Tinted glass
 Heater & defroster
 Interior-hood release
 Oil pressure warning light
 Parking brake warning light
 Brake failure warning light
 6-way combination switch
 Padded sunvisors
 Vinyl upholstery
 Parcel shelf
 Cigarette lighter
 Chrome front bumper
 Heavy-duty, two-ton jack
 Double-latched tailgate
 with support chains
 Tool kit
 Touch-up paint

OPTIONAL FEATURES

Air conditioning
 AM radio
 Rear-step bumper

